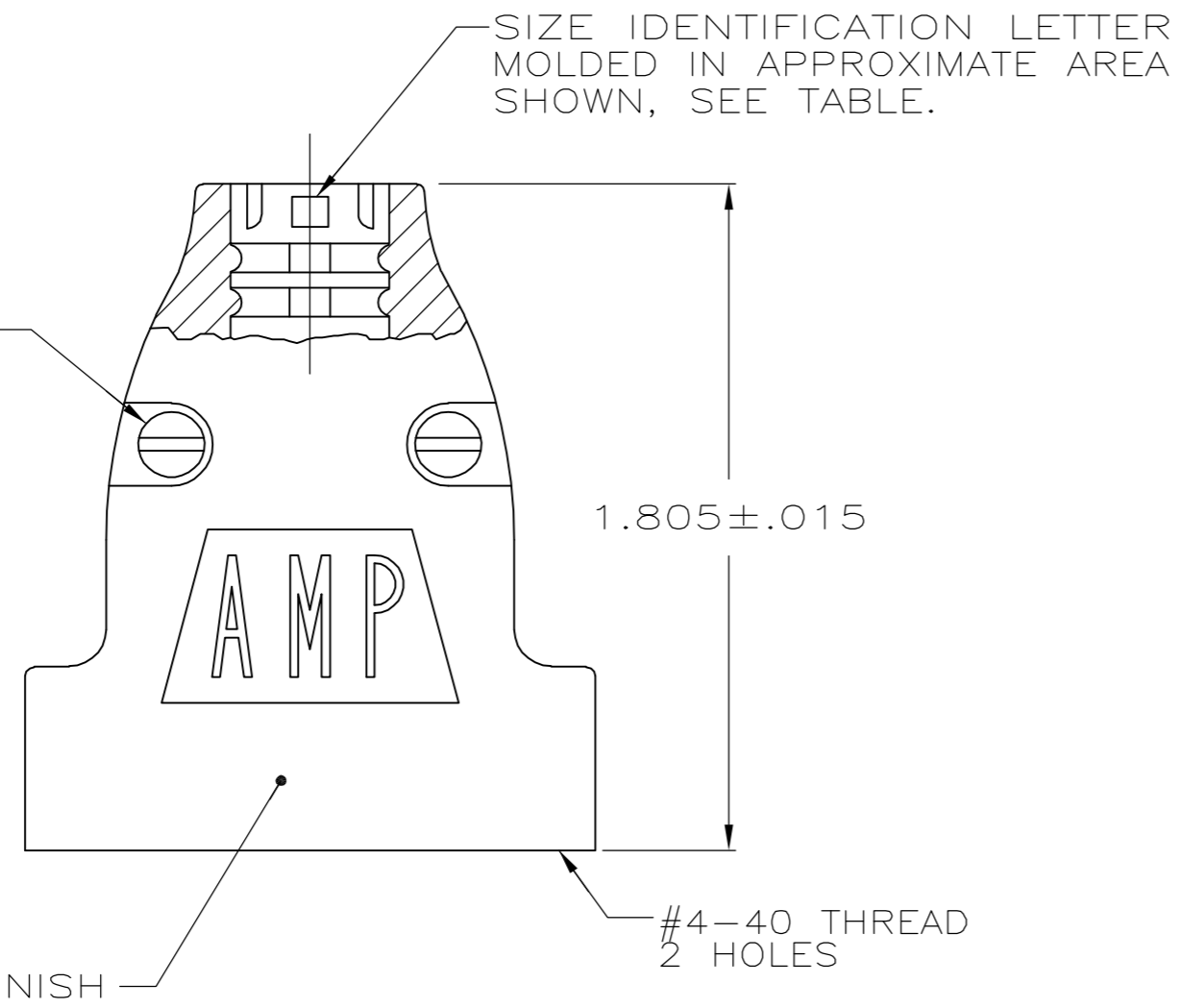
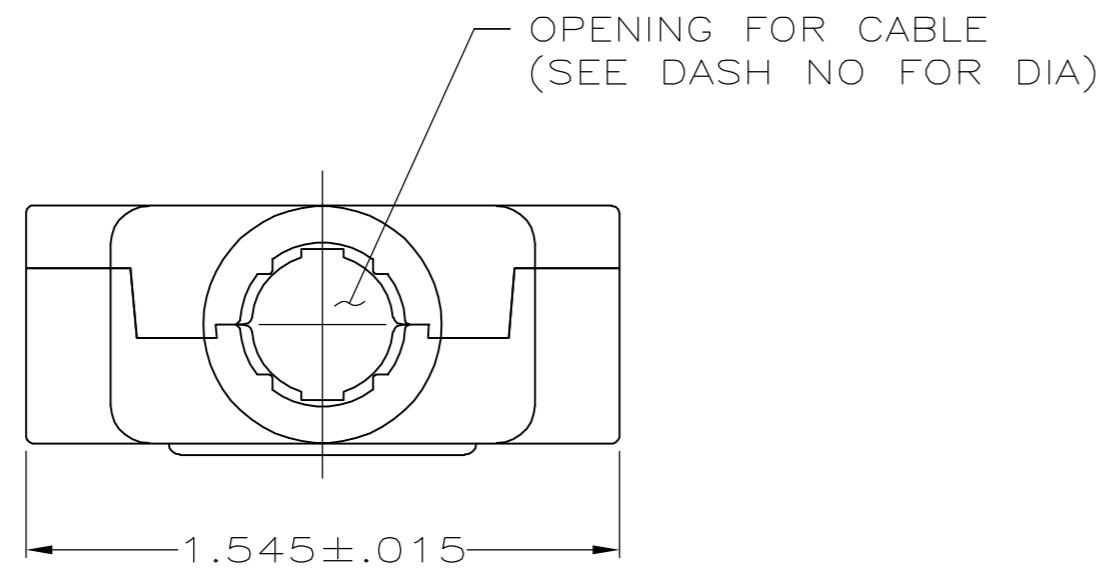
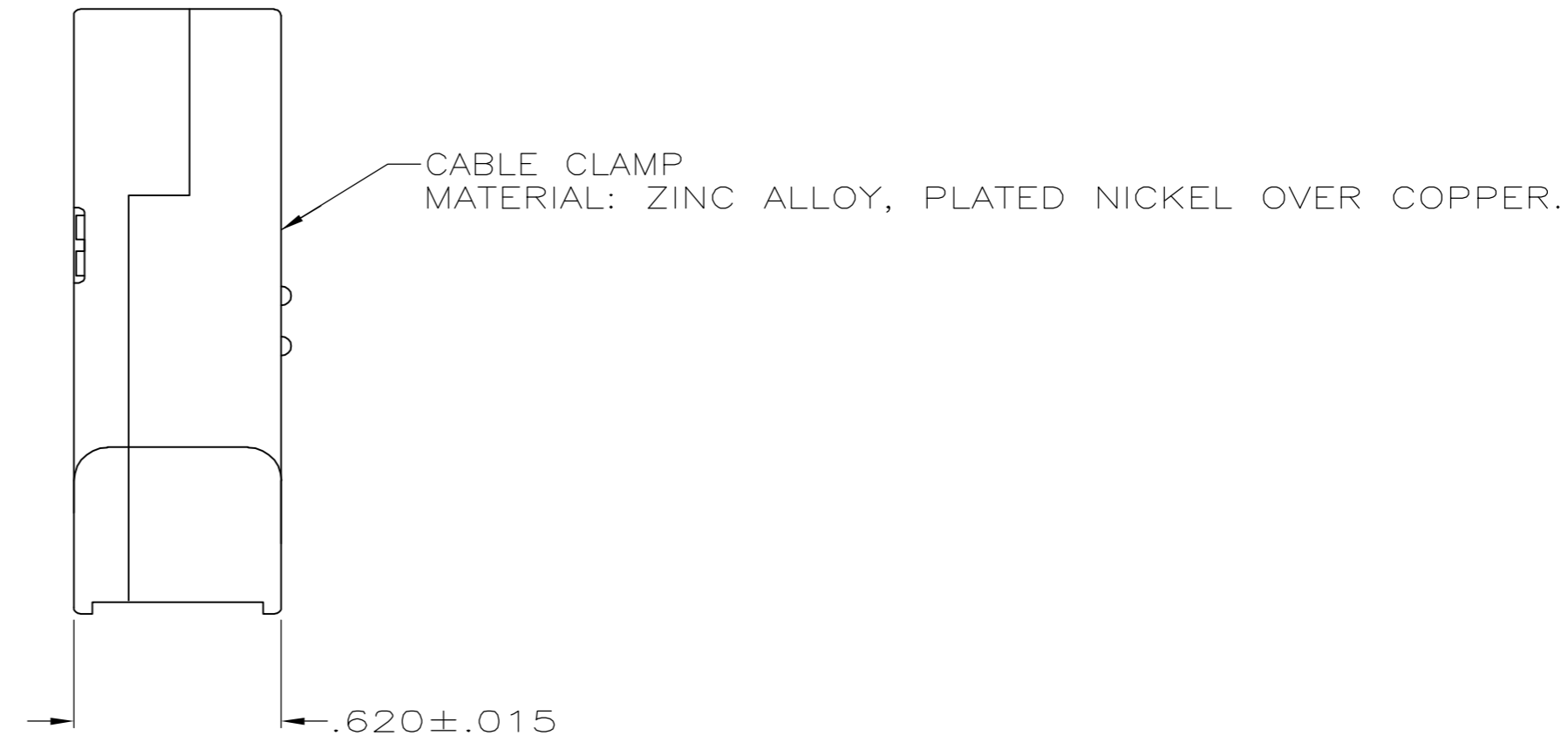


THIS DRAWING IS UNPUBLISHED. RELEASED FOR PUBLICATION
 © COPYRIGHT BY TYCO ELECTRONICS CORPORATION. ALL RIGHTS RESERVED.

LOC	DIST	REVISIONS			
P	LTR	DESCRIPTION	DATE	DWN	APVD
GP	00	0	RELEASED PER EC 0S13-0226-05	8-14-05	D.H. J.G.



#4-40 PAN HEAD SCREW,
 MATERIAL: COLD ROLLED
 STEEL
 (2 REQD)



1. PARTS PACKAGED UNASSEMBLED.

ZINC PLATED .000200-.000400 THICK,
 CLEAR CHROMATE COATING.

E	.300	5745919-3
H	.375	5745919-2
K	.430	5745919-1
SIZE IDENT LETTER	MAX CABLE DIA	PART NUMBER

**COPYRIGHT 2005
 TYCO ELECTRONICS CORP
 ALL RIGHTS RESERVED**

THIS DRAWING IS A CONTROLLED DOCUMENT.		DWN D. HENNY 8-14-05	Tyco Electronics Corporation Harrisburg, Pa 17105-3608	
DIMENSIONS: INCHES	TOLERANCES UNLESS OTHERWISE SPECIFIED:	CHK C. ROHDE 8-14-05	NAME M. WALMSLEY 8-14-05	
	0 PLC ± -	APVD M. WALMSLEY 8-14-05	PRODUCT SPEC	
	1 PLC ± -	APPLICATION SPEC	-	
MATERIAL SEE CALLOUTS	FINISH SEE CALLOUTS	WEIGHT -	SIZE A2	CAGE CODE 00779
CUSTOMER DRAWING			DRAWING NO C=5745919	RESTRICTED TO -
		SCALE 1:1	SHEET 1	OF 1
			REV 0	